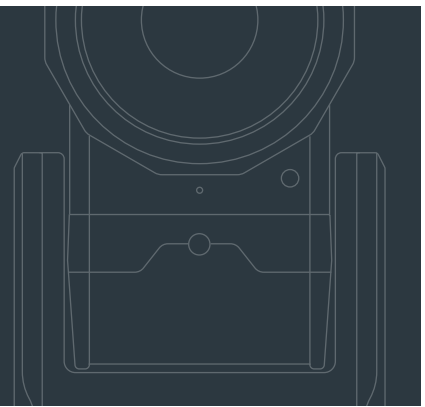




SOLOSHOT³

The Tag



User Manual

FOR OUTDOOR TRACKING ONLY unless used in conjunction with the Indoor Tracking Accessory.

CONGRATULATIONS ON SCORING YOUR SOLOSHOT3!

Our category-creating line of personal cameraman products make it easy to capture, edit, share, and manage high-quality video and photos.

Visit www.soloshot.com to learn more about our full product suite, including our automated editing and live streaming products.

Download the SOLOSHOTapp on the App Store or Google Play.


Connect with us!






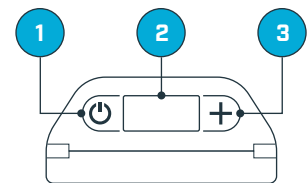

 @soloshotupdates
 
 soloshotvideo

Table of Contents

Updating and Registering Your Tag	2
Updating	2
Registering	3
Putting the Tag In Update Mode	4

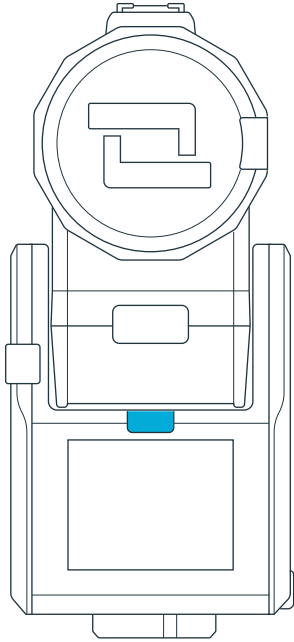
Your tag

-  Power Button
-  OLED Screen
-  Function Button



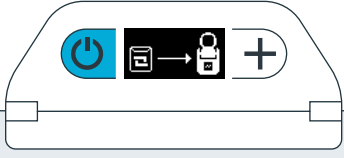
Update and Register Your Tag

1 Power On Base



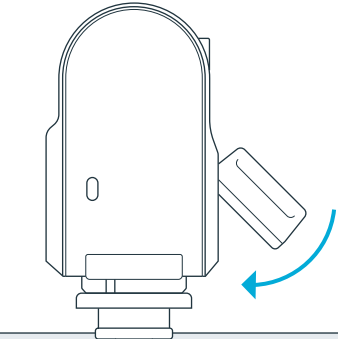
2 Power On Tag

Tag automatically comes in update mode as indicated by display on OLED.



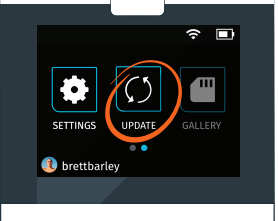
3 Dock Tag

Dock Tag into the accessory port on front of the Base.



4 Launch the Update App

- Ensure you're connected to Wi-Fi.
- The Camera does NOT need to be connected to update Base and Tag.
- Firmware update requires Base to have at least 50% battery, or must be charging.

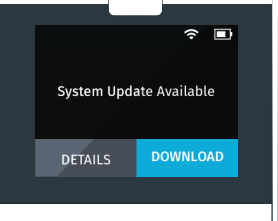


5 Check Software

The Base, which also stores the software for the Tag and Camera, will first check to ensure you have the most up-to-date software bundle.

If yes, then SKIP

If no, then DOWNLOAD



i Update Base

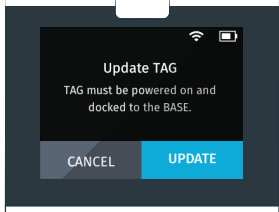
If Base needs updating, select UPDATE

If Base is up-to-date, select NEXT

6 Update Tag

Select UPDATE

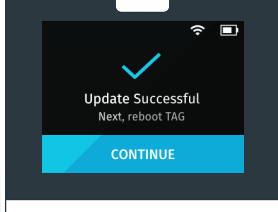
By default, your Tag is in Update Mode, so there is no need to place it into Update Mode.



Update and Register Your Tag

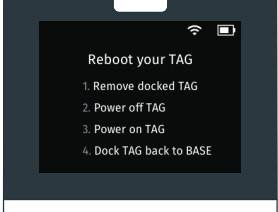
7 Update Successful

Select CONTINUE.



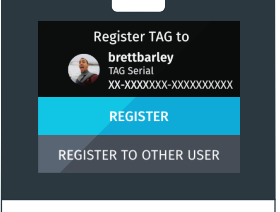
8 Reboot Tag

Follow onscreen prompts.



9 Register Tag

Select REGISTER.

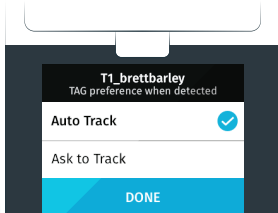


10 Select Tag Preference

AUTO TRACK
When the Tag is turned on and within range of the Base, the Base will automatically track this Tag. [This is the default setting]

ASK TO TRACK
When the Tag is turned on and within range of the Base, the Tag will need to be toggled on within the Tag Manager. Tags that are toggled off will not be tracked by the Base.

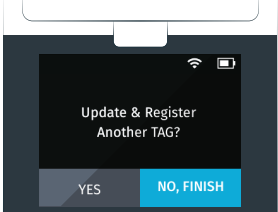
Select DONE.



11 Update & Register Another Tag

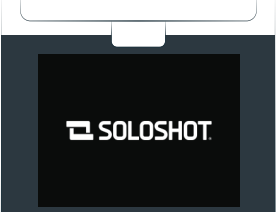
Select NO, FINISH to complete Tag Update & Registration.

Select YES to repeat process for another Tag.



12 Complete

You are now ready to #GoFilmYourself!



i Update Camera

If Camera needs updating, select UPDATE [Connect Camera].
If Camera is up-to-date, select SKIP.

! IMPORTANT

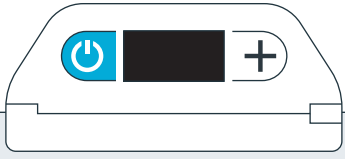
Follow the update process for any other Bases, Tags and Cameras to ensure they're up-to-date.

Putting the Tag In Update Mode

1 Power Off

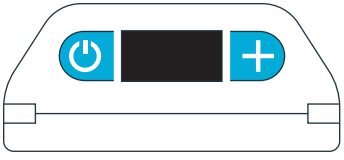
The Tag must be placed in Update mode before updating the software.

Power off the Tag by holding down the Power button for 2 seconds, until the screen turns off.




2 Power On In Update Mode

While holding down the **+** button, press the power button.



The Tag will turn on and the OLED will display a graphic indicating that it needs to be docked to the Base.



3 Dock the Tag

Dock the Tag into the accessory port on the front of the Base.

Follow the onscreen instructions and continue with the update process.

