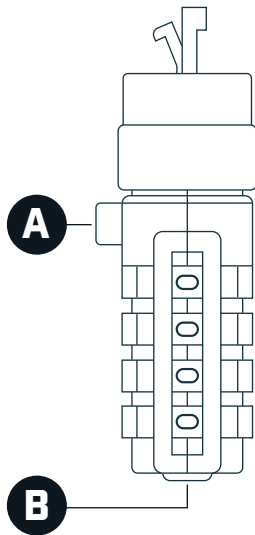




# SOLOSHOT<sup>3</sup>

K-Lock

## Instructions



### 1 Set/Reset the Combomation

The preset combination is 0-0-0-0.

Press and hold the **(B)** button.

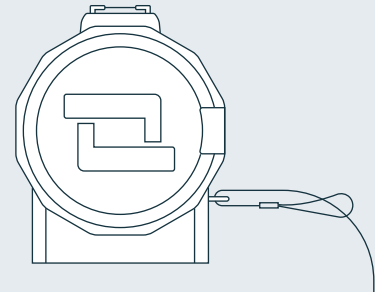
Set your new combination.

Do not release the button until you've set your new combination.

Your personal combination is set. Memorize or write it in a safe place.

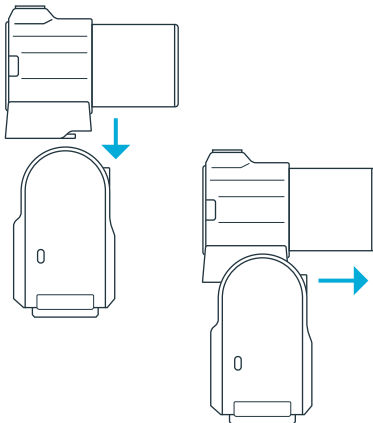
### ! IMPORTANT

**Before attaching the OpticX Camera to the Base,** run the cable through the camera's K-Lock ring and thread back through the cable loop.



### 2 Attach to Camera

Attach the OpticX Camera to the Base.



### 3 Attach K-Lock to Base

Press and hold the **(A)** button.

Insert the lock into the Base's K-Lock slot.

Rotate the lock 90 degrees and release the **(A)** button.

Mix the combination.

### 4 Unlocking the K-Lock

Dial your correct combination.

Press and hold the **(A)** button.

Rotate lock 90 degrees and remove the lock from the Base.

Release the **(A)** button.

